

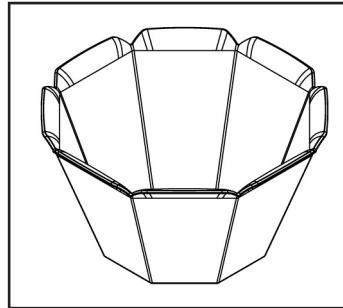
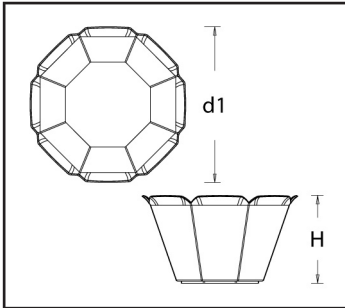


YOUR PARTNER IN SWEET CREATIONS

© Alcas S.p.A. - sede legale: Via Livorno 21/23 - 50142 Firenze -Italy- uffici e logistica: via dell'industria, 17 - 50056 Montelupo F.no (FI) -Italy- +39 0571 59561 - Iscr.Re.Soc.Trib.Firenze R.E.A. n. 246185 Capitale Sociale Eur.520.000.00 interamente versato - Cod.Fisc./Partita IVA 00786080481.

Item ref. : 138/1 Extended Code: 138017010
Item description: SMERALDO CUP 150 CC RED Colour: Red
Material: PP Technology: Injection molding
EAN code: 8011248009368 Customizable
Restriction in use: Microwaveable

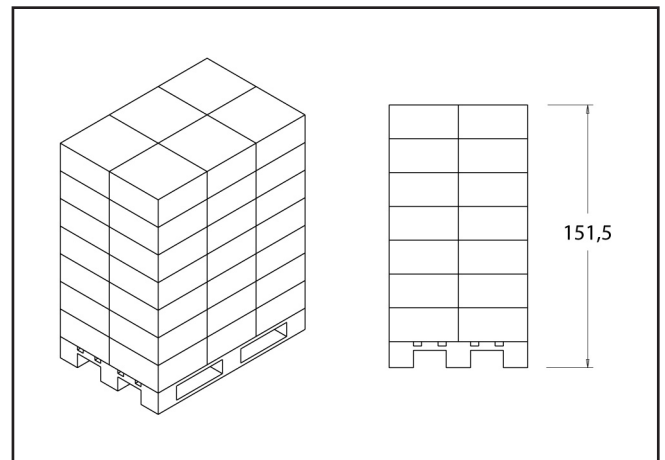
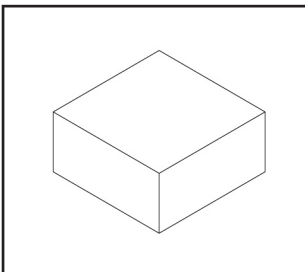
PRODUCT SPECIFICATIONS



U.M.= mm

Net weight (gr): 7,700 Total capacity (cc): 150,000
Length (L): _____ Width (B): _____ Height (H): 45,000
Int. Diameter (d1): 90,000 Ext. Diameter (d2): _____
Note: _____

PACKAGING SPECIFICATIONS



U.M.= cm

Nr of pcs per box 1000
Nr of pcs per inner packaging: 100
Nr of inner packaging per box: 10
Box measures: Length: 40,000 Width: 40,000 Height: 19,500
Box gross weight (Kg): 8,380

Nr of boxes per pallet: 42



YOUR PARTNER IN SWEET CREATIONS

© Alcas S.p.A. - sede legale: Via Livorno 21/23 - 50142 Firenze -Italy- uffici e logistica: via dell'industria, 17 - 50056 Montelupo F.no (FI) -Italy- +39 0571 59561 - Iscr.Re.Soc.Trib.Firenze R.E.A. n. 246185 Capitale Sociale Eur.520.000.00 interamente versato - Cod.Fisc./Partita IVA 00786080481.

COMPLIANCE DECLARATION FOR MATERIALS AND PRODUCTS SUITABLE TO GET IN CONTACT WITH FOODSTUFF

We hereby declare that:

Item	Material	Volume/Weight Ratio (mm ² /cc)	Duration of contact (days)	Temperature of contact (°C)
138017010	PP	79,150	10,000	40,000

Materials abbreviation: PET (Polyethylene terephthalate), PLA (Polylactic acid), PP (Polypropylene), PP/PET (Polypropylene/Polyethylene terephthalate), PS (Polystyrene), PET MS (Multilayer polyethylene terephthalate), PLA MS (Multilayer polylactic acid), PS MA (Multilayer polystyrene)

Supplied to you for the packaging of:

- Foodstuff from class 1 to 8

1) is in compliance the following rules legislated by the European Community:

- ✓ Regulation 10/2011/CE
- ✓ Regulation 1935/2004/CE
- ✓ Regulation 1895/2005/CE

2) the material doesn't contain substances subject to restrictions in the above mentioned regulations. The material respects the limits of global migration.

The statement is supported by analytics proofs or by calculation on the migration of substances made in accordance with the prescriptions as per chapter V of the regulation 10/2011.

3) Raw materials may contain substances as stated in Directive 89/107/CEE and 88/388/CEE and D.M. dd. 27th February 1996 - nr. 209, 27th November 1996 - nr. 684 and nr. 23 dd. July 2003 (these substances are also called "dual use" additives). As per experimental and/or theoretical calculations it results that these substances does not migrate into foodstuff in such a quantity to determine a technical effect and are in conformity with the restrictions as per the regulation 1333/2004 (alimentary additives) and 1334/2004 (aromas), or the attachment I of the regulation 10/2011, according to what applicable.

The user of the material intended to get in touch with foodstuff has the responsibility to inform our company in case of any restriction due to the composition (additives and aromas) of the alimentary product which have to be packed.

Chief Executive
Stefano Casebasse

Data 11/05/12

Signature 